

Table with 4 columns: MANGILIONE ANTIPANICO SERIE "FAST TOUCH", PANIC EXIT DEVICE Series: "FAST TOUCH", POIGNEE ANTI-PANIQUE Serie: "FAST TOUCH", BARRA ANTIPANICO Serie: "FAST TOUCH".

Table with 4 columns: SIMBOLOGIA, SYMBOLS, SIMBOLES, SIMBOLOGIA. Includes icons for right-handed door, left-handed door, double leaf door, and outside operation devices.

Table with 2 columns: COMPONENTI / COMPONENTS / COMPOSANTS / COMPONENTES. Lists parts like Scatola principale, Supporto posteriore, Staffa anteriore, etc.

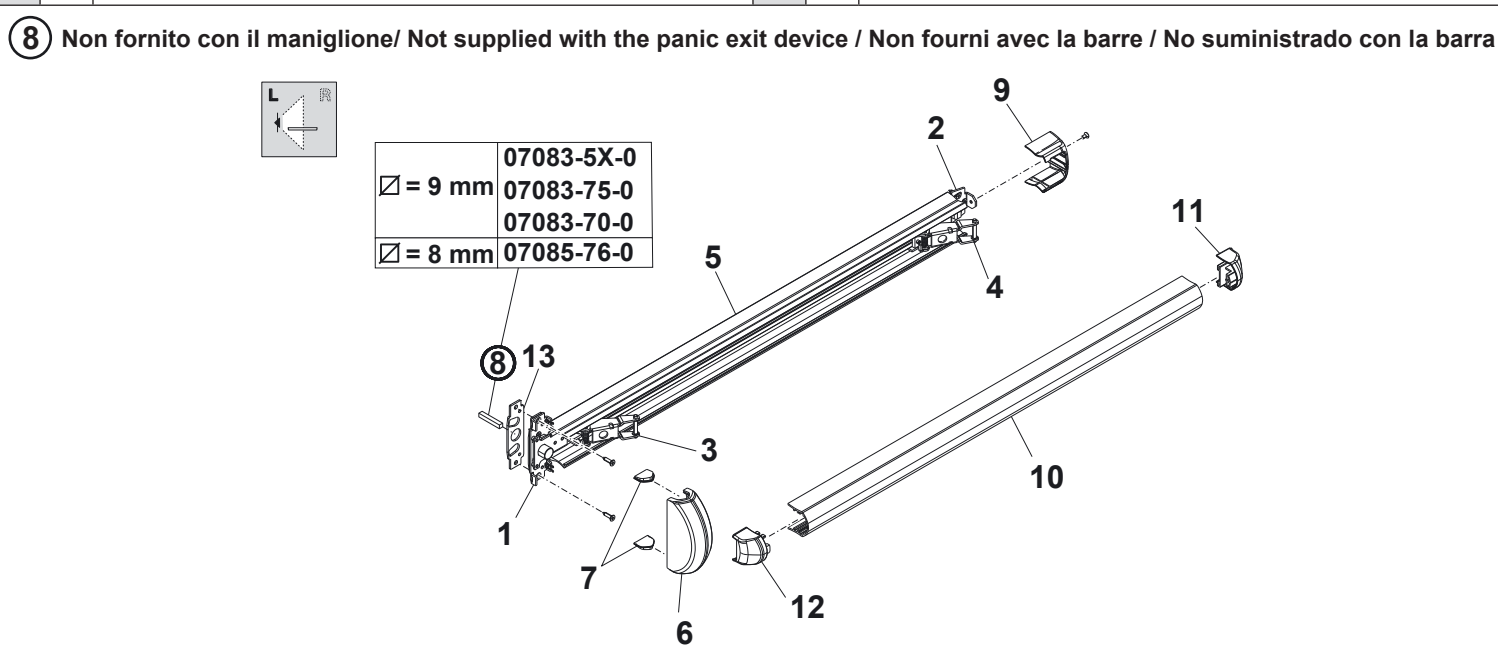


Table with 2 columns: Testi note, Notes, Textes notes, Textos notas. Provides instructions for the front bracket and rear support.

Table with 2 columns: Testi note, Notes, Textes notes, Textos notas. Provides instructions for the rear bracket and front bracket.

Table with 2 columns: Testi note, Notes, Textes notes, Textos notas. Provides instructions for the front bracket pins and front bar plug inserts.

Table with 2 columns: Testi note, Notes, Textes notes, Textos notas. Provides instructions for the closed door check and matching the contact.

Table with 2 columns: Testi note, Notes, Textes notes, Textos notas. Provides instructions for the final assembly check.

Table with 4 columns: Dime utilizzate per posizionare, Positioning templates used, Gabarits utilisés pour positionner, Plantillas utilizadas para colocar.

Table with 4 columns: Minuteria utilizzata, Small hardware items used, Petites pièces utilisées, Accesorios metallicos utilizados.

Table with 4 columns: Tipo di installazione su porte cieche, Type of installation on blind doors, Type d'installation sur portes pleines, Tipo de instalación en puertas ciegas.

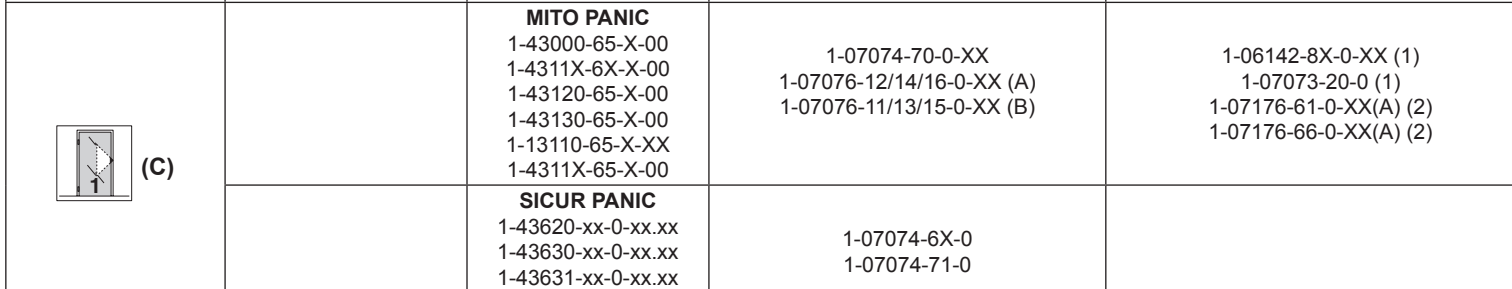


Table with 4 columns: (C), (T), (L). Lists product codes for MITO PANIC, SICUR PANIC, and HEAVY DUTY series.

Table with 4 columns: (C), (T), (L). Lists product codes for ANTI-PANICO 3 series.

Table with 4 columns: (C), (T), (L). Lists product codes for EXTLOCK series.

Table with 4 columns: (C), (T), (L). Lists product codes for MITO PANIC series.

Table with 4 columns: (C), (T), (L). Lists product codes for ANTI-PANICO 3 series.

Table with 4 columns: (C), (T), (L). Lists product codes for MITO PANIC series.

Table with 4 columns: (C), (T), (L). Lists product codes for SICUR PANIC series.

Table with 4 columns: (C), (T), (L). Lists product codes for SICUR PANIC series.

Table with 4 columns: (C), (T), (L). Lists product codes for MITO PANIC series.

Table with 4 columns: (C), (T), (L). Lists product codes for SICUR PANIC series.

Table with 4 columns: (C), (T), (L). Lists product codes for MITO PANIC series.

Table with 4 columns: (C), (T), (L). Lists product codes for SICUR PANIC series.

Table with 4 columns: (C), (T), (L). Lists product codes for MITO PANIC series.

Table with 4 columns: (C), (T), (L). Lists product codes for SICUR PANIC series.

Table with 4 columns: (C), (T), (L). Lists product codes for MITO PANIC series.

Table with 4 columns: (C), (T), (L). Lists product codes for SICUR PANIC series.

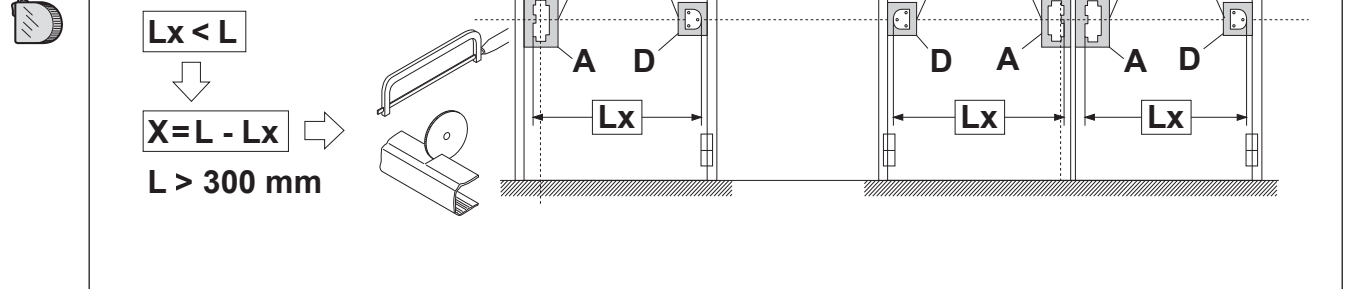
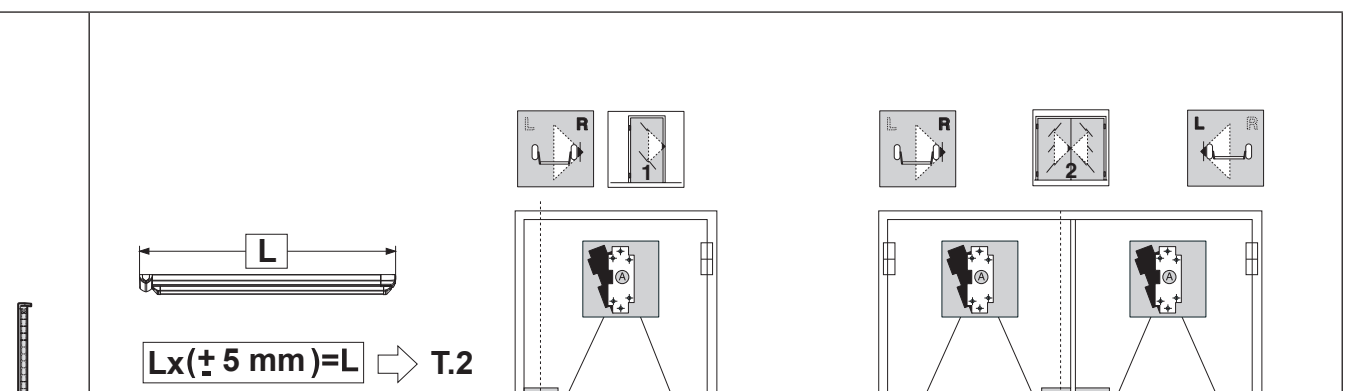
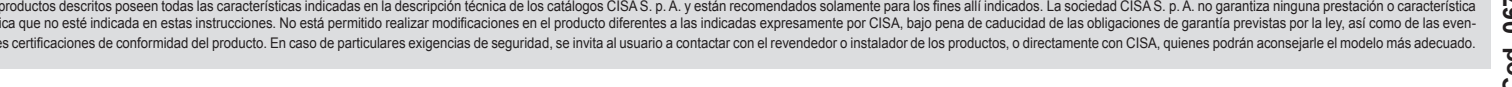
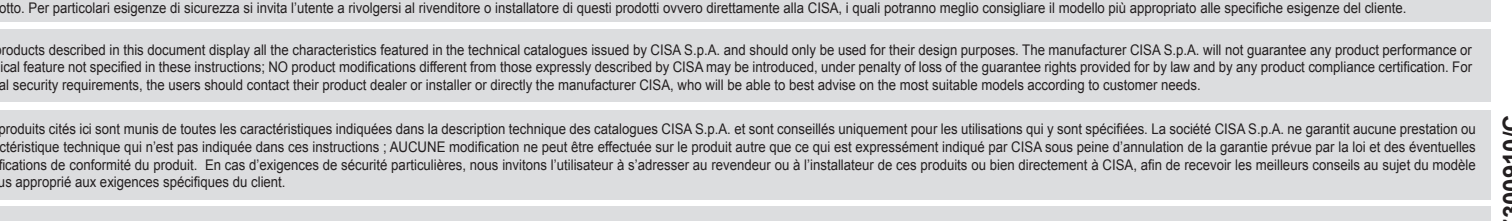
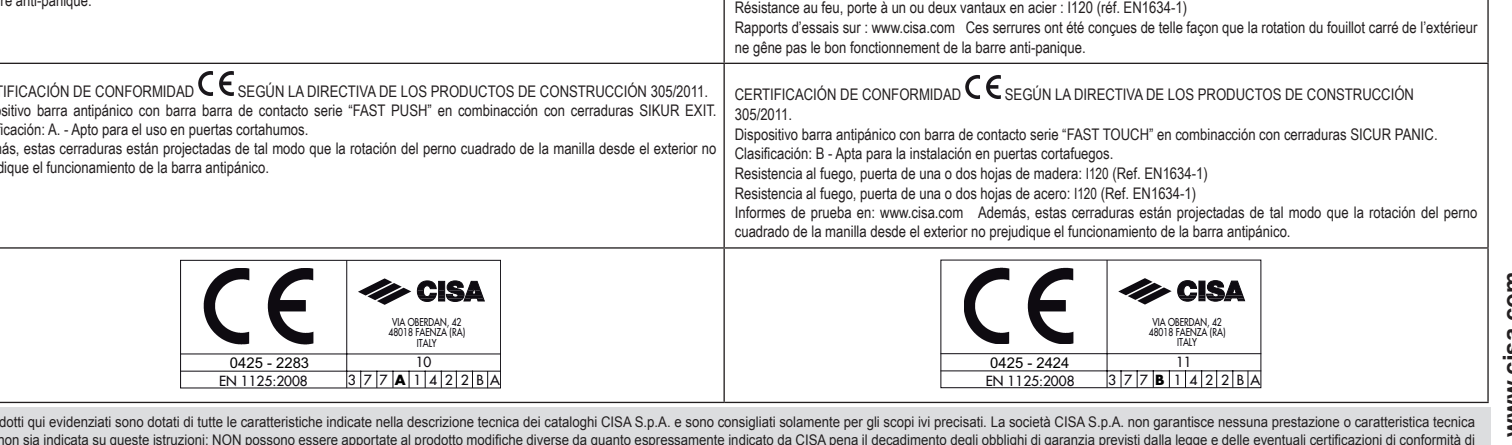
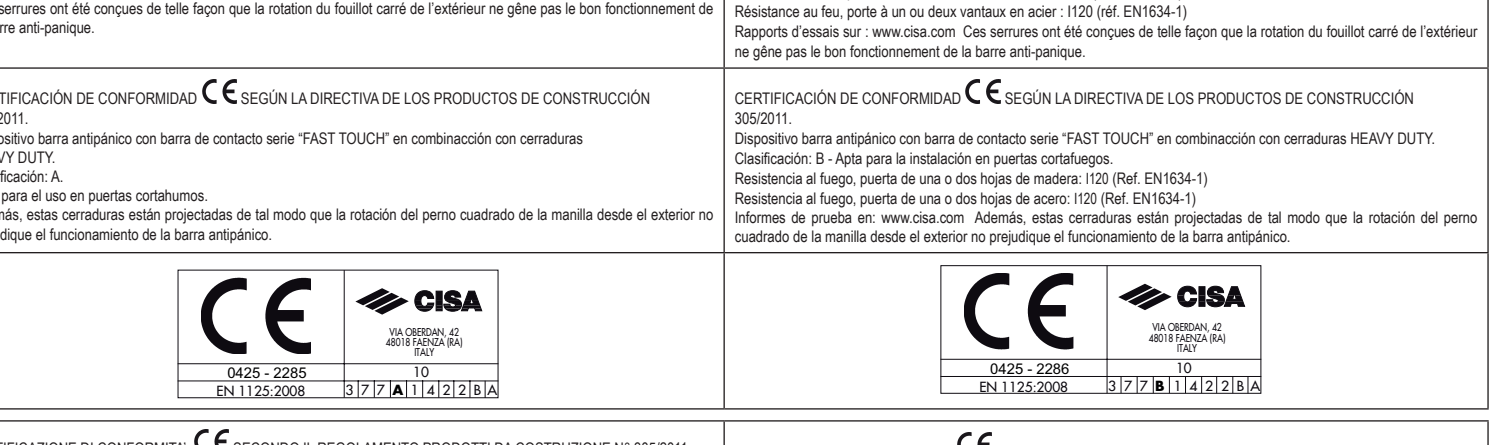
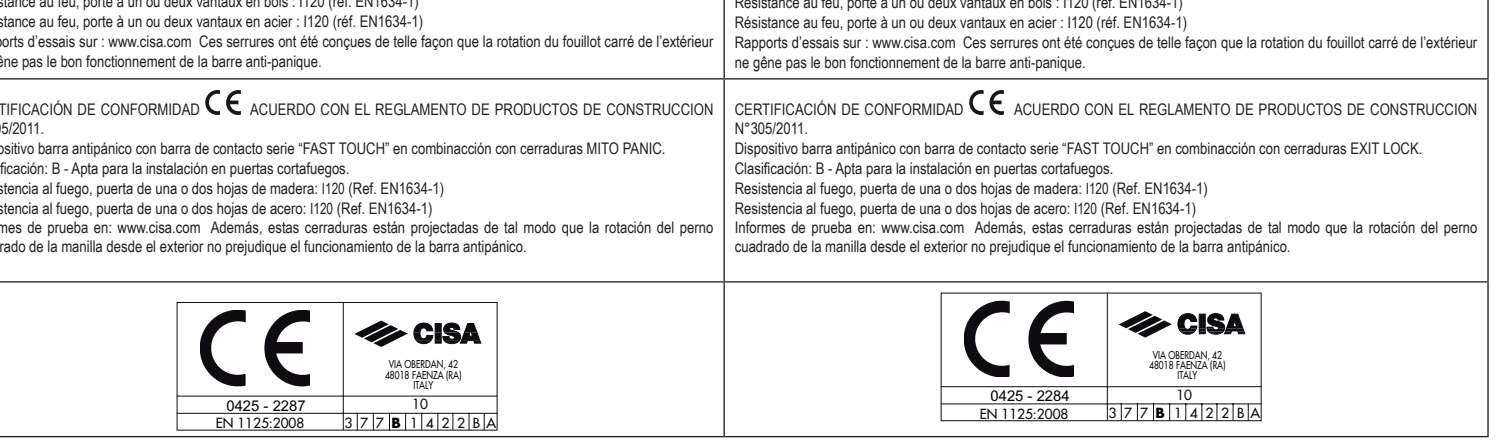
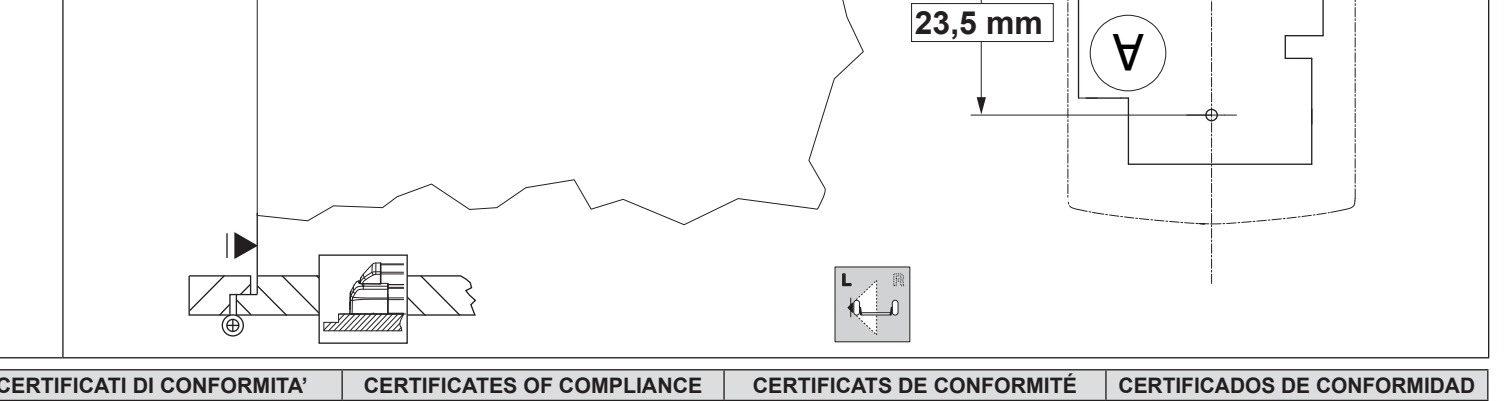
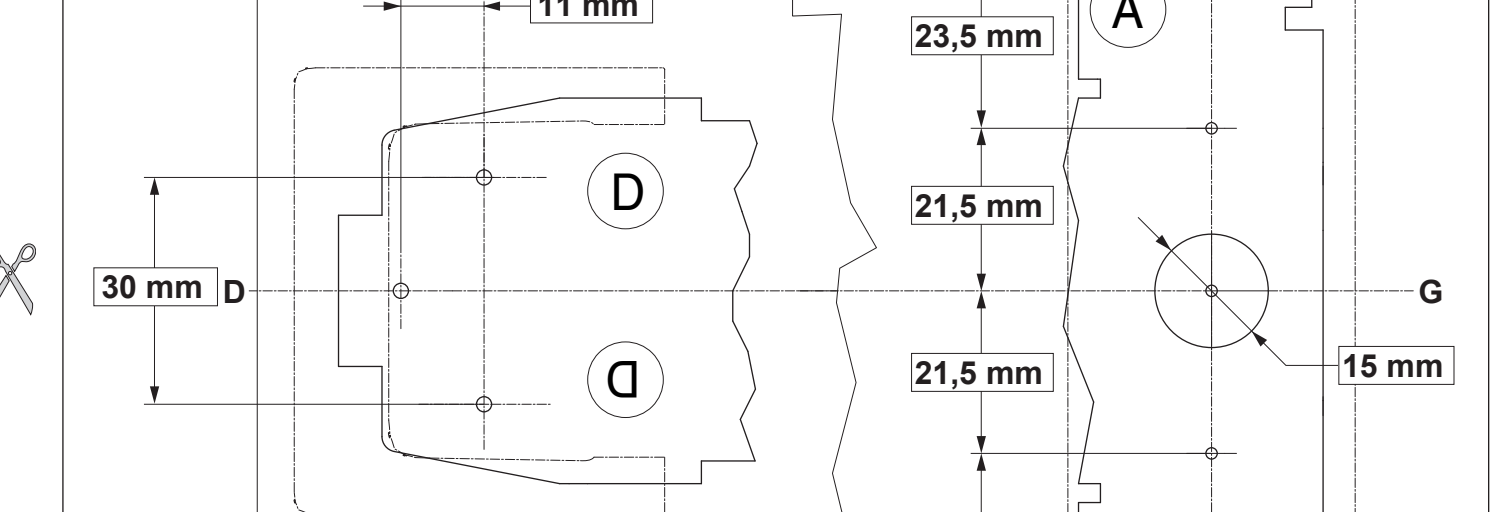
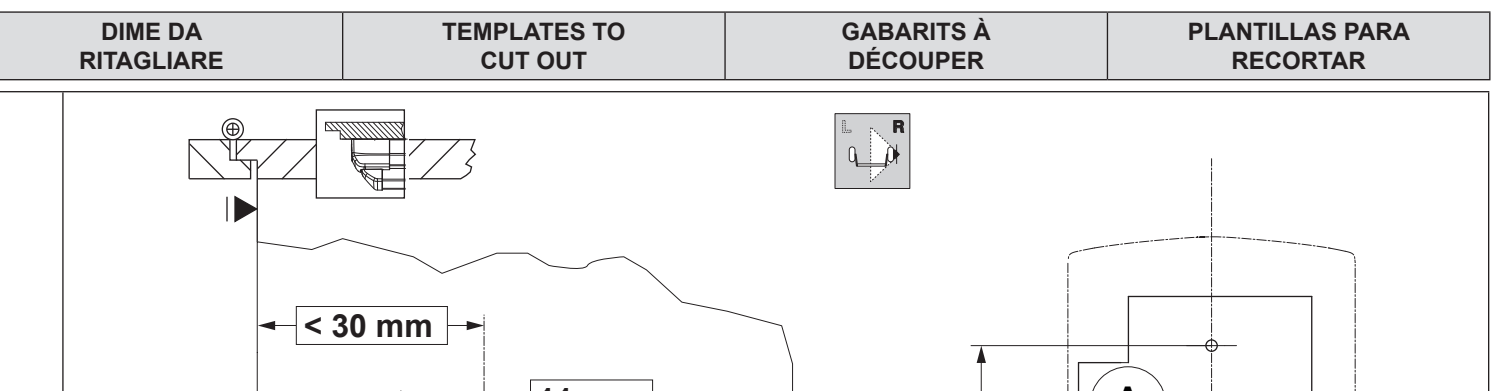
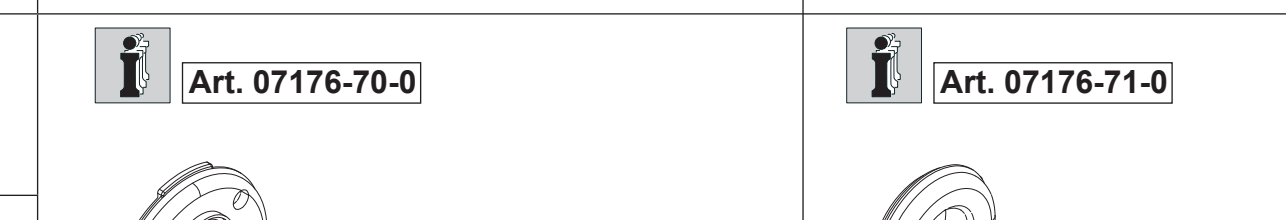
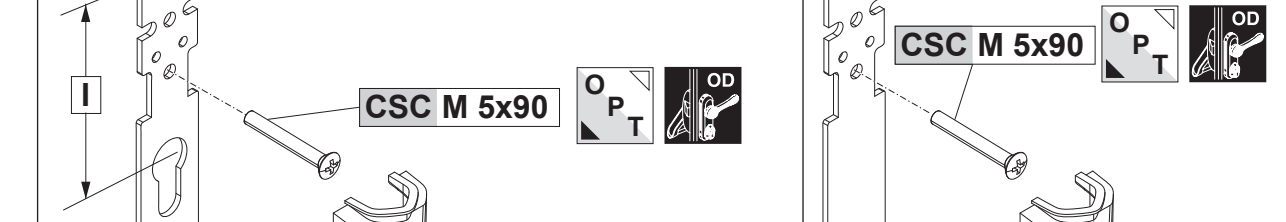
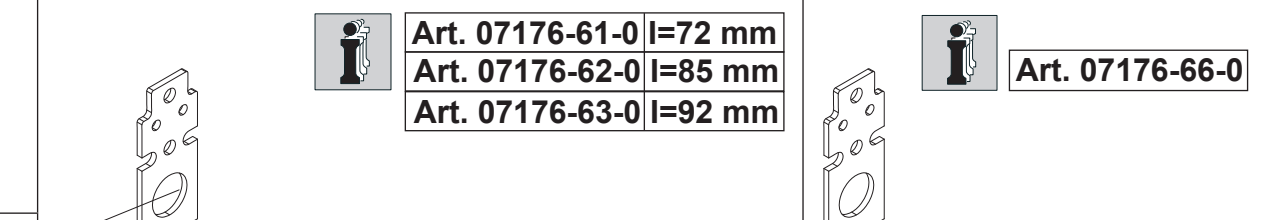
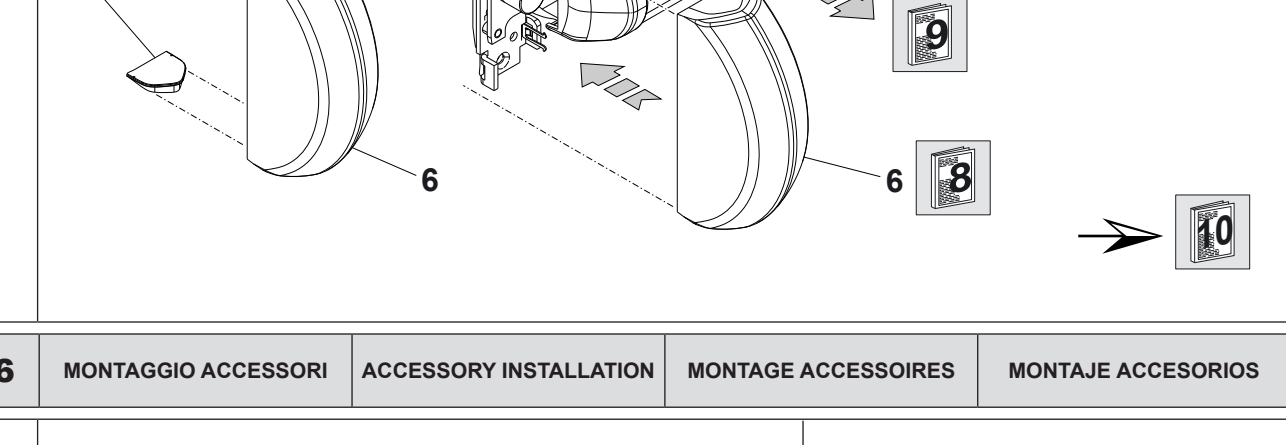
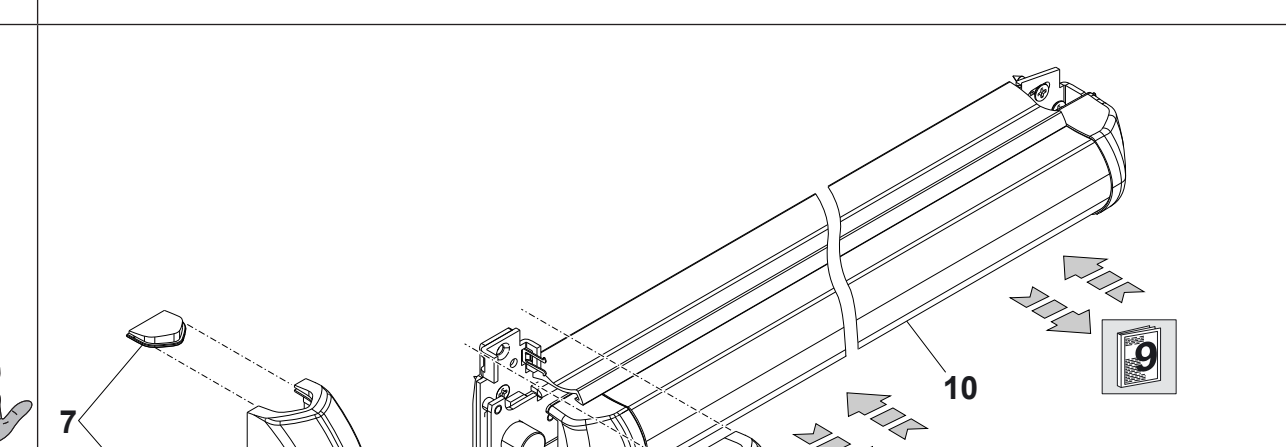
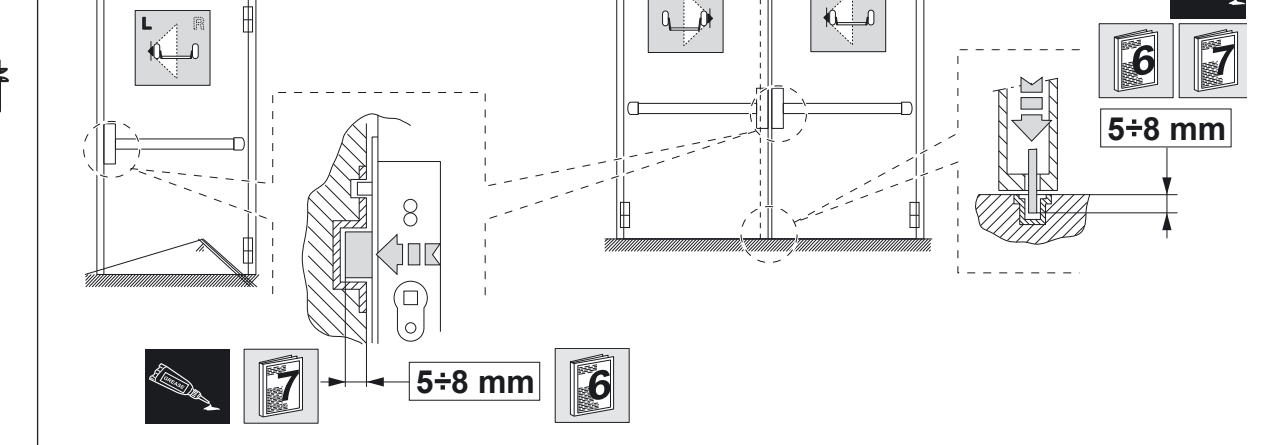
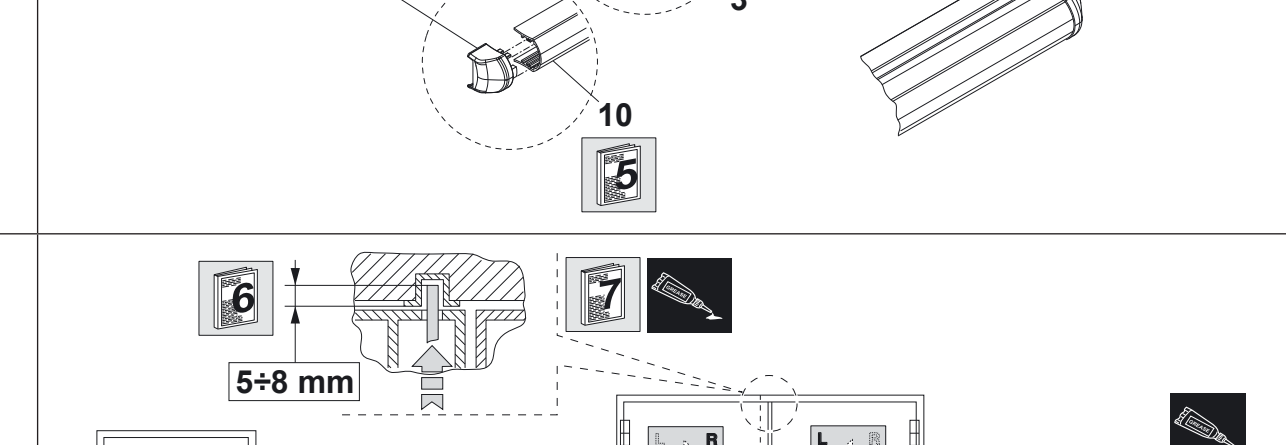
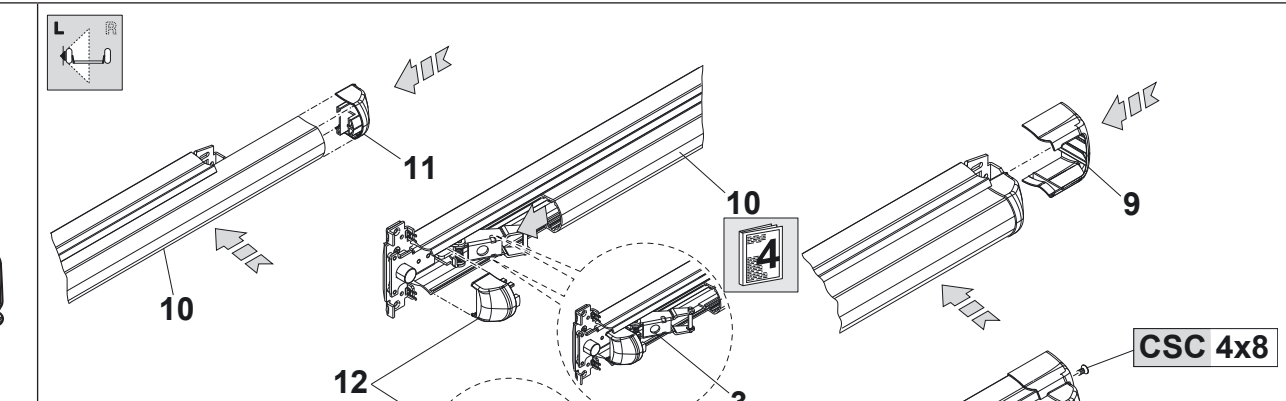
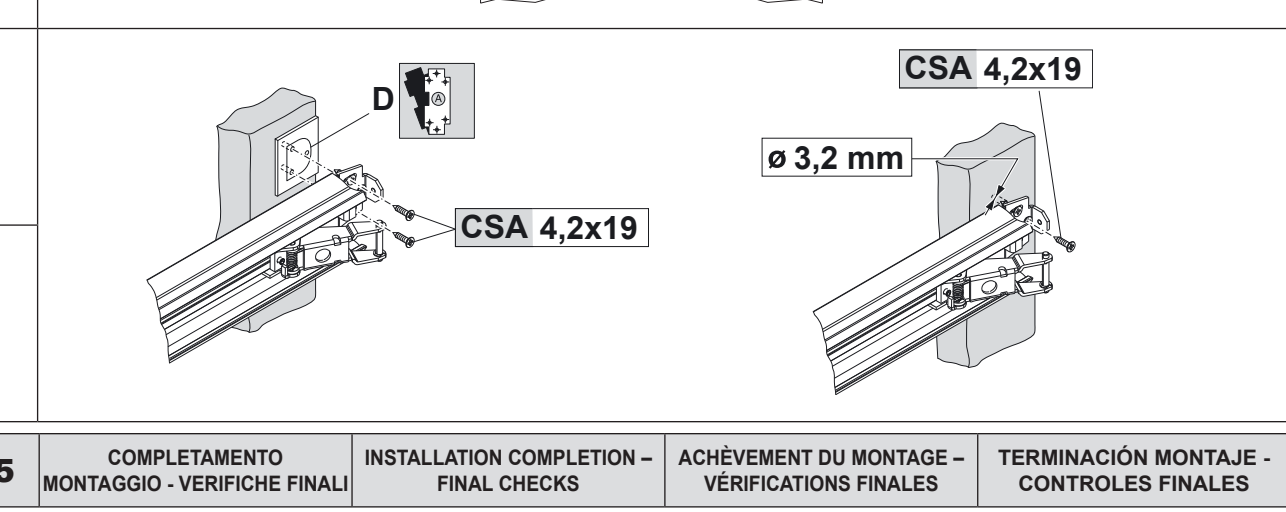
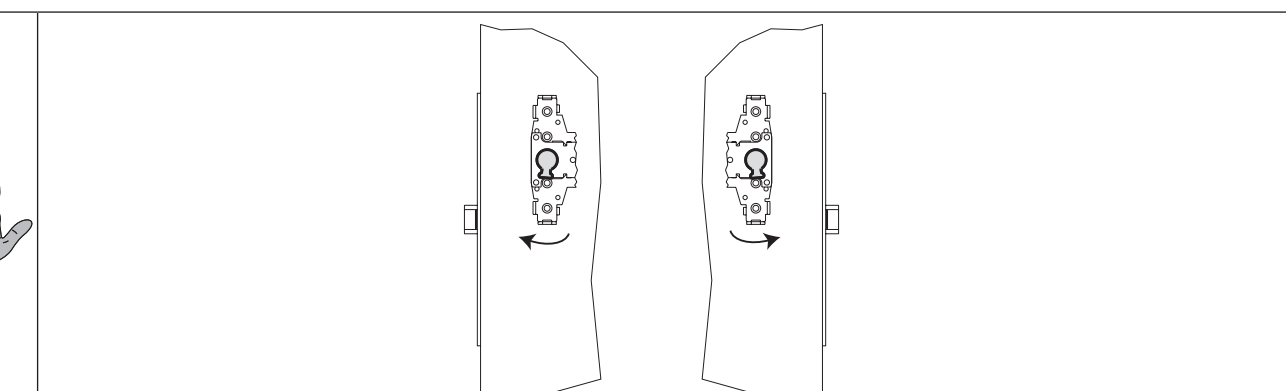
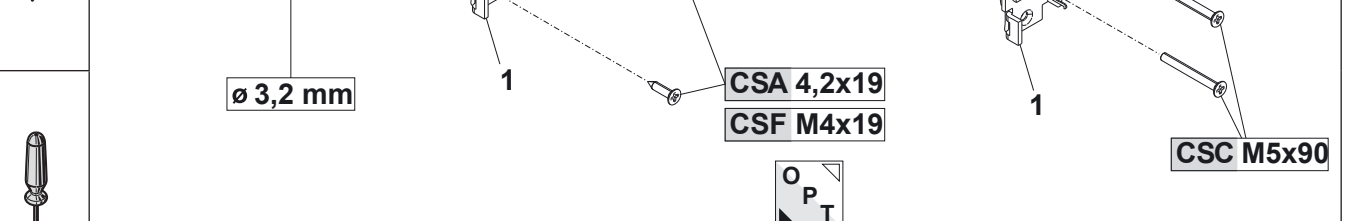
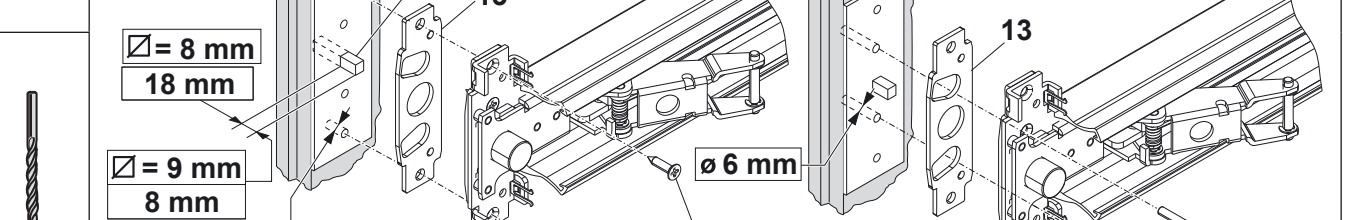
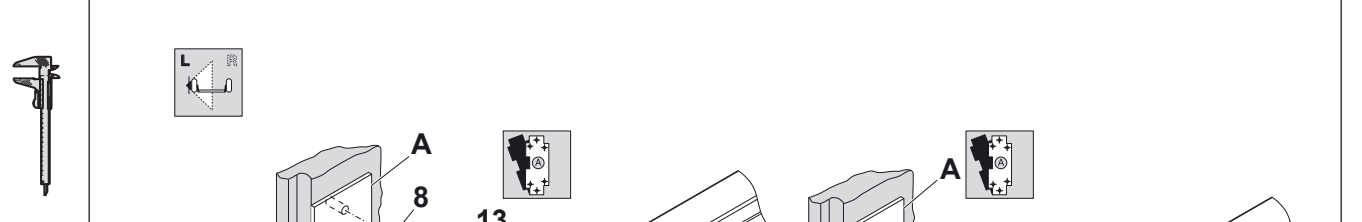
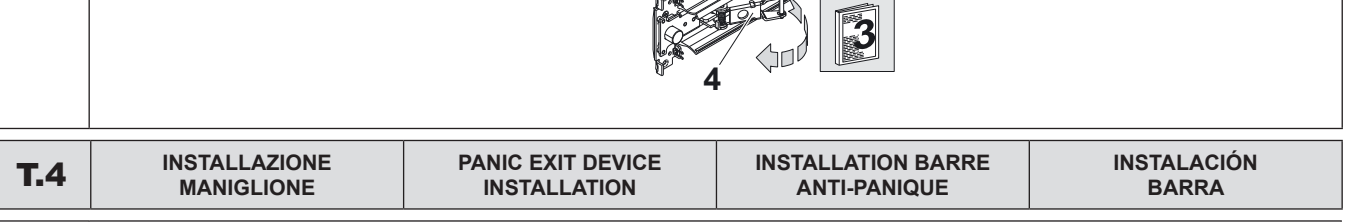
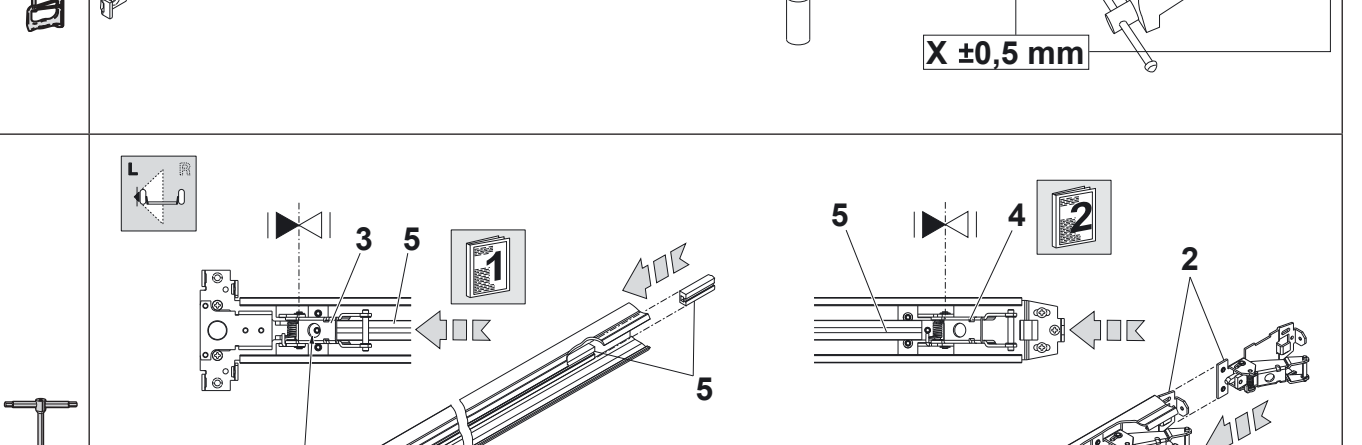
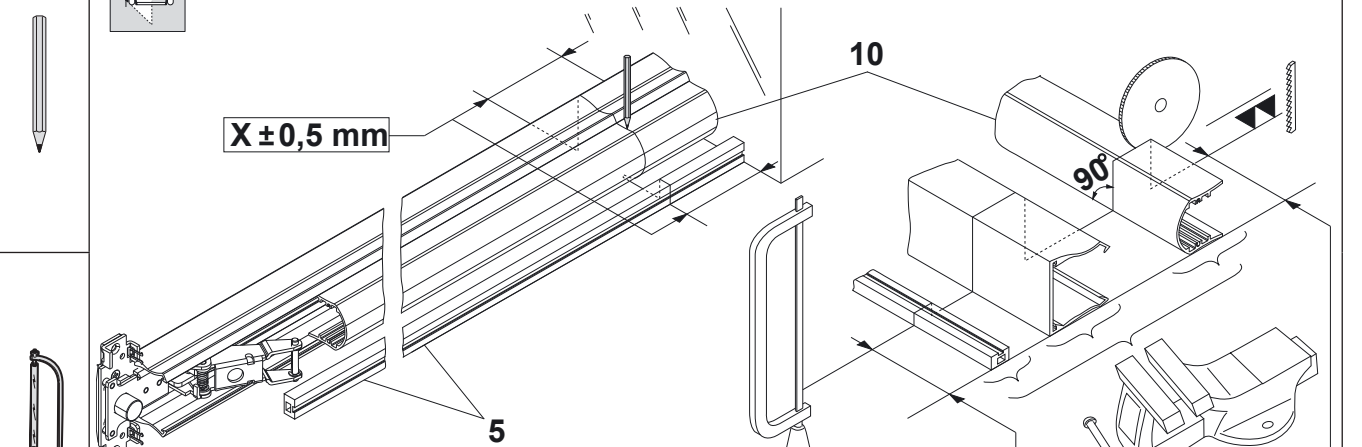
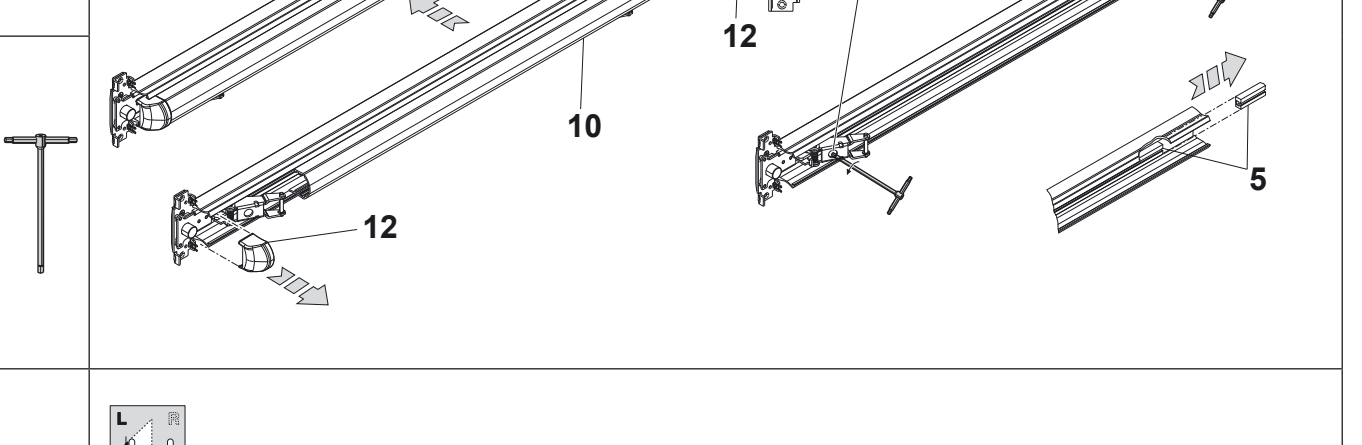
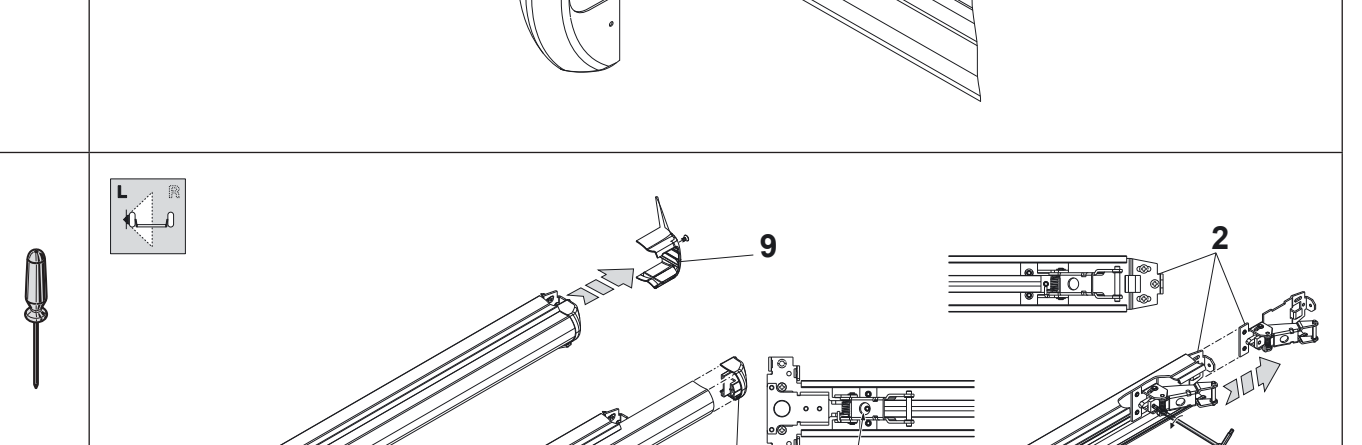
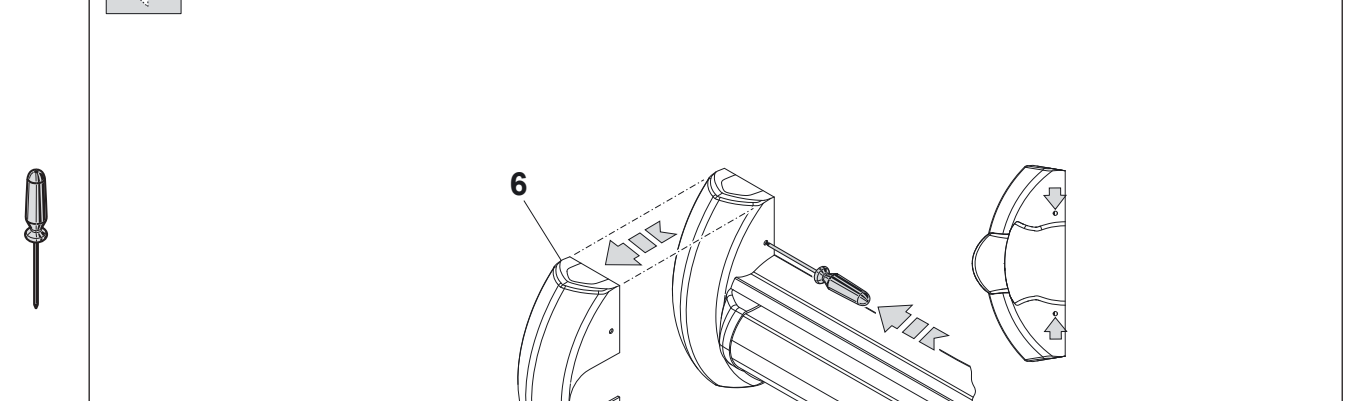
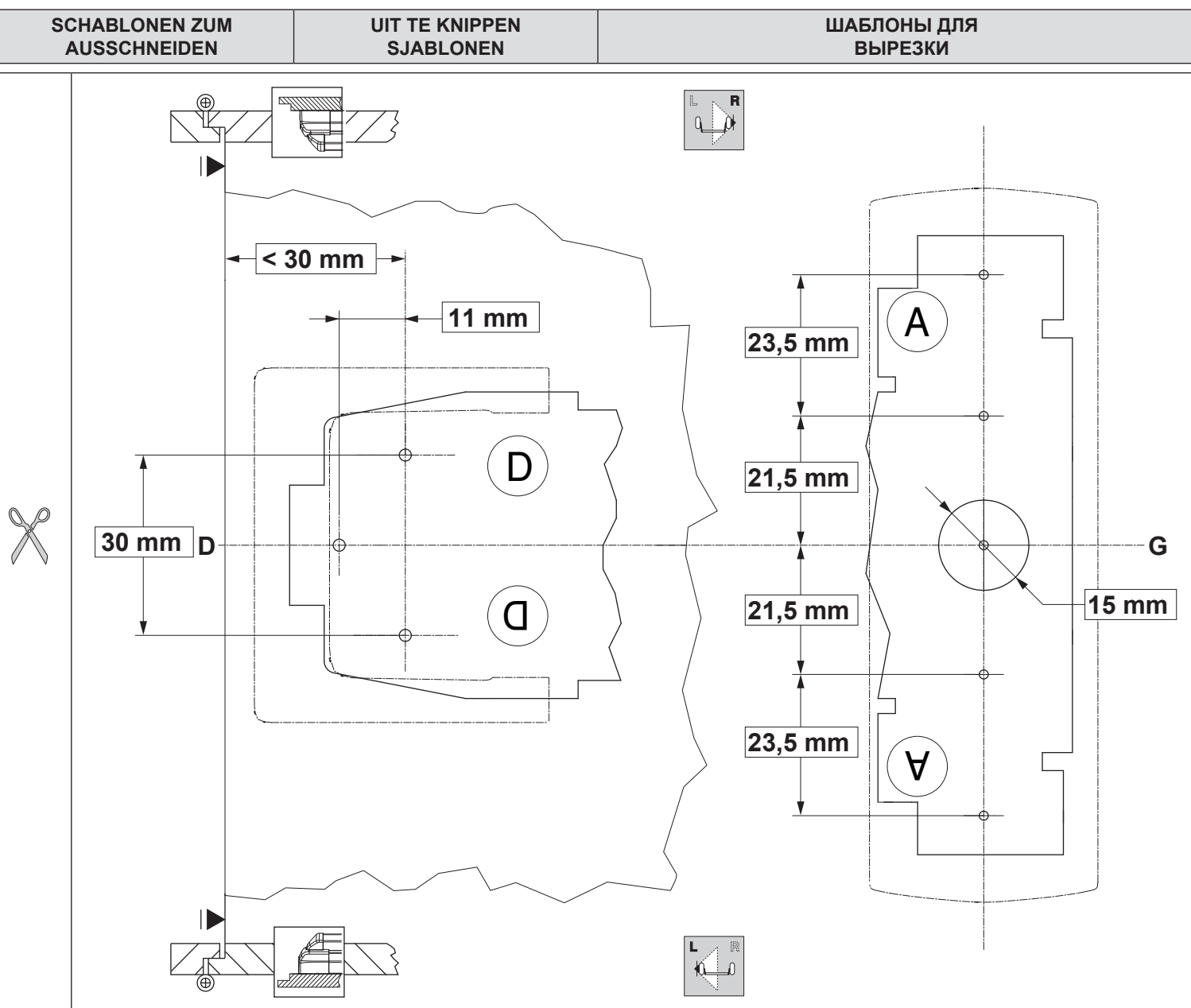


Table with 4 columns: ADEGUAMENTO LUNGHEZZA MANIGLIONE, PANIC EXIT DEVICE LENGTH ADJUSTMENT, ADAPTATION LONGUEUR BARRE ANTI-PANIQUE, ADECUACION LONGITUD BARRA.





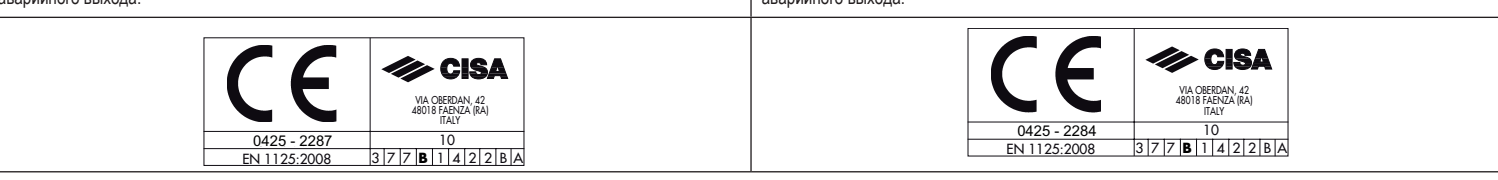


KONFORMITÄTSERKLÄRUNGEN CONFORMITÉISCERTIFICATEN СЕРТИФИКАТЫ СООТВЕТСТВИЯ

KONFORMITÄTSMACHERS CE GEMASS FÜR BAUPRODUKTENRICHTLINIE 305/2011. PANIK-Stangengriff mit Griffhänge Serie „FAST PUSH“ in Kombination mit Schössern der Serie MITO PANIC.

KONFORMITÄTSCERTIFICAAT CE VOLGENS DE RICHTLIJN 305/2011 INZAKE BOUWPRODUCTEN. Paniekuitrusting met oewangsting „FAST PUSH“ reeks in combinatie met sloten van de serie MITO PANIC.

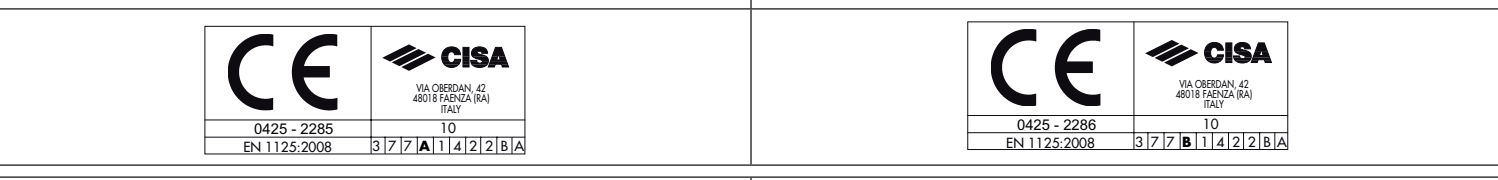
СЕРТИФИКАТ СООТВЕТСТВИЯ CE СОГЛАСНО ДИРЕКТИВЕ О СТРОИТЕЛЬНЫХ ИЗДЕЛИЯХ 305/2011. Устройства аварийного выхода «антипанника» с постоянной штатной серии «FAST PUSH» в сочетании с замками MITO PANIC.



KONFORMITÄTSMACHERS CE GEMASS FÜR BAUPRODUKTENRICHTLINIE 305/2011. Panik-Stangengriff mit Griffhänge Serie „FAST PUSH“ in Kombination mit Schössern der Serie HEAVY DUTY.

KONFORMITÄTSCERTIFICAAT CE VOLGENS DE RICHTLIJN 305/2011 INZAKE BOUWPRODUCTEN. Paniekuitrusting met oewangsting „FAST PUSH“ reeks in combinatie met sloten van de serie HEAVY DUTY.

СЕРТИФИКАТ СООТВЕТСТВИЯ CE СОГЛАСНО ДИРЕКТИВЕ О СТРОИТЕЛЬНЫХ ИЗДЕЛИЯХ 305/2011. Устройства аварийного выхода «антипанника» с постоянной штатной серии «FAST PUSH» в сочетании с замками MITO PANIC.



KONFORMITÄTSMACHERS CE GEMASS FÜR BAUPRODUKTENRICHTLINIE 305/2011. Panik-Stangengriff mit Griffhänge Serie „FAST PUSH“ in Kombination mit Schössern der Serie SIKUR EXIT.

KONFORMITÄTSCERTIFICAAT CE VOLGENS DE RICHTLIJN 305/2011 INZAKE BOUWPRODUCTEN. Paniekuitrusting met oewangsting „FAST PUSH“ reeks in combinatie met sloten van de serie SIKUR EXIT.

СЕРТИФИКАТ СООТВЕТСТВИЯ CE СОГЛАСНО ДИРЕКТИВЕ О СТРОИТЕЛЬНЫХ ИЗДЕЛИЯХ 305/2011. Устройства аварийного выхода «антипанника» с постоянной штатной серии «FAST PUSH» в сочетании с замками SIKUR EXIT.



Die hier hergestellten Produkte sind mit allen in der technischen Beschreibung der CISA S.p.A. - Kataloge angegebenen Merkmalen ausgestattet und werden nur für die dort beschriebenen Zwecke empfohlen.

Table with 3 columns: DE (PANI-K-STANGENGRIFF), NL (PANIEKSLUITING), RU (УСТРОЙСТВО АВАРИЙНОГО ВЫХОДА). Includes technical specifications and safety instructions.

Table with 3 columns: SYMBOLE, SYMBOLEN, УСЛОВНЫЕ ОБОЗНАЧЕНИЯ. Lists symbols for door types, double doors, and safety features.

Table with 3 columns: Ref., Q.ty, BAUTEILE / ONDERDELEN / КОМПОНЕНТЫ. Lists parts like main housing, handle, and connecting rods.

8) Lieferset ohne Stangengriff / Niet geleverd met de sluiting / Не поставляется с устройством аварийного выхода

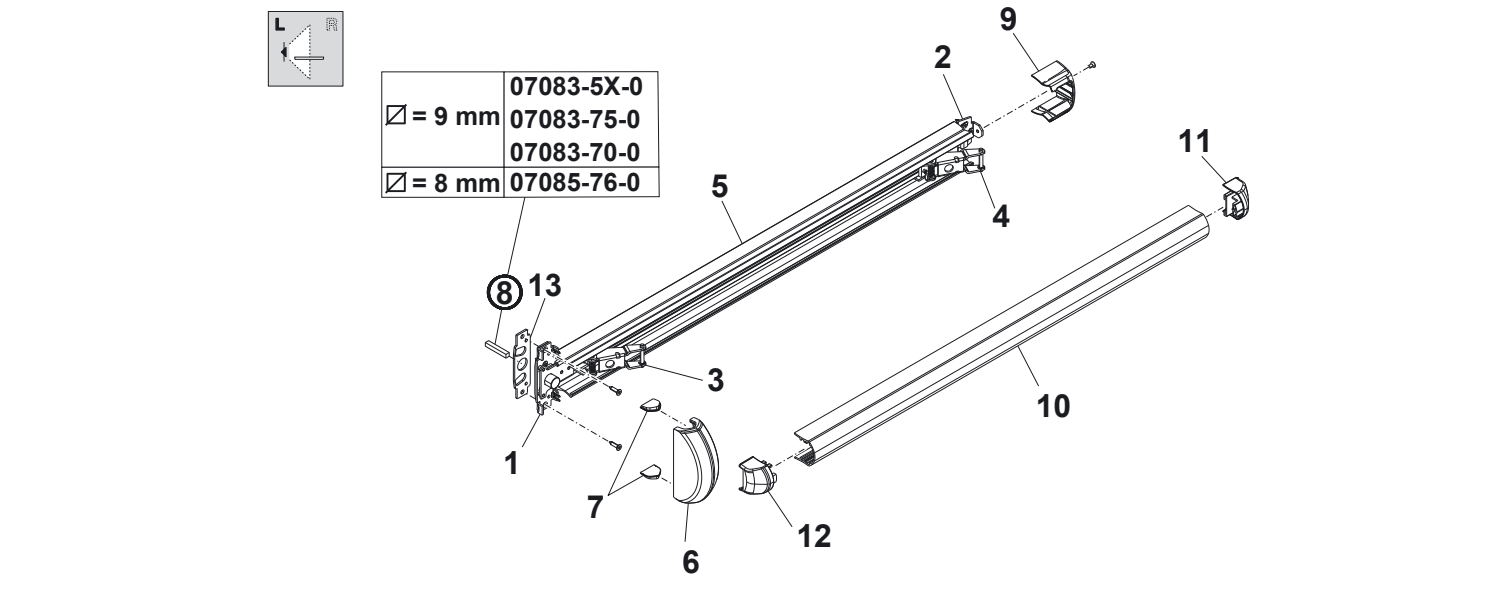


Table with 3 columns: Ref / Ref / Ссылка, Anmerkungen, Beschrijving, Примечания. Provides detailed notes for each part of the assembly.

Table with 3 columns: Ref / Ref / Ссылка, Anmerkungen, Beschrijving, Примечания. Continues detailed notes for parts 2-10.

Table with 3 columns: Ref / Ref / Ссылка, Anmerkungen, Beschrijving, Примечания. Continues detailed notes for parts 7-10.

Table with 3 columns: Ref / Ref / Ссылка, Zur Positionierung verwendete Schablonen, Sjablonen voor het plaatsen van, Шаблоны для позиционирования. Includes diagrams and part lists for installation.

Table with 3 columns: Montageart an Vollmaterialtüren, Installatie op blinde deuren, Тип установки на глухие двери. Describes installation methods for different door types.

Table with 3 columns: MITO PANIC, SIKUR PANIC, HEAVY DUTY, ANTRIPANICO 3. Lists various model numbers and their specifications.

Table with 3 columns: MITO PANIC, SIKUR PANIC, HEAVY DUTY. Lists additional model numbers and specifications.

Table with 3 columns: MITO PANIC, SIKUR PANIC. Lists model numbers for main and secondary handles.

Table with 3 columns: SIKUR EXIT. Lists model numbers for the SIKUR EXIT panic bar.

Table with 3 columns: MONTAGE PANIKSCHLOSS, MONTAGE PANIEKSLU, MONTAJ ZAMKA ANTIPANIK. Shows diagrams for lock and panic bar installation.

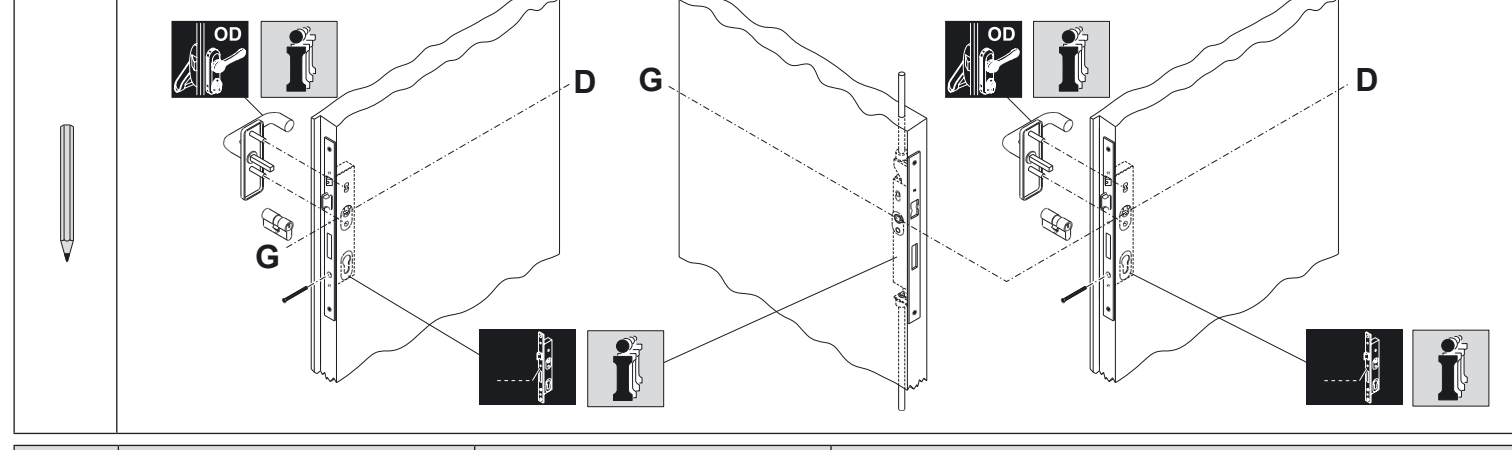
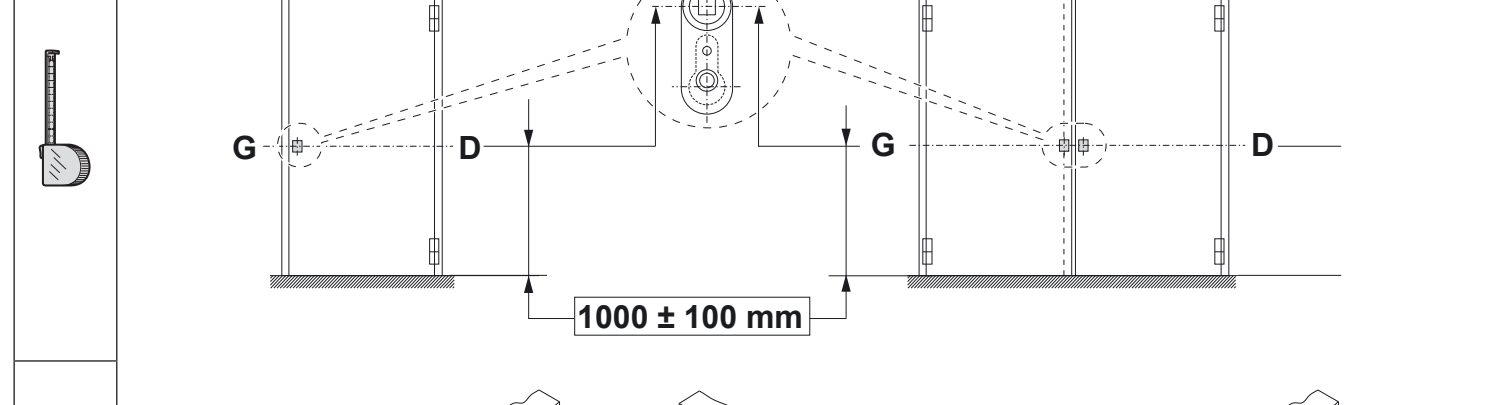
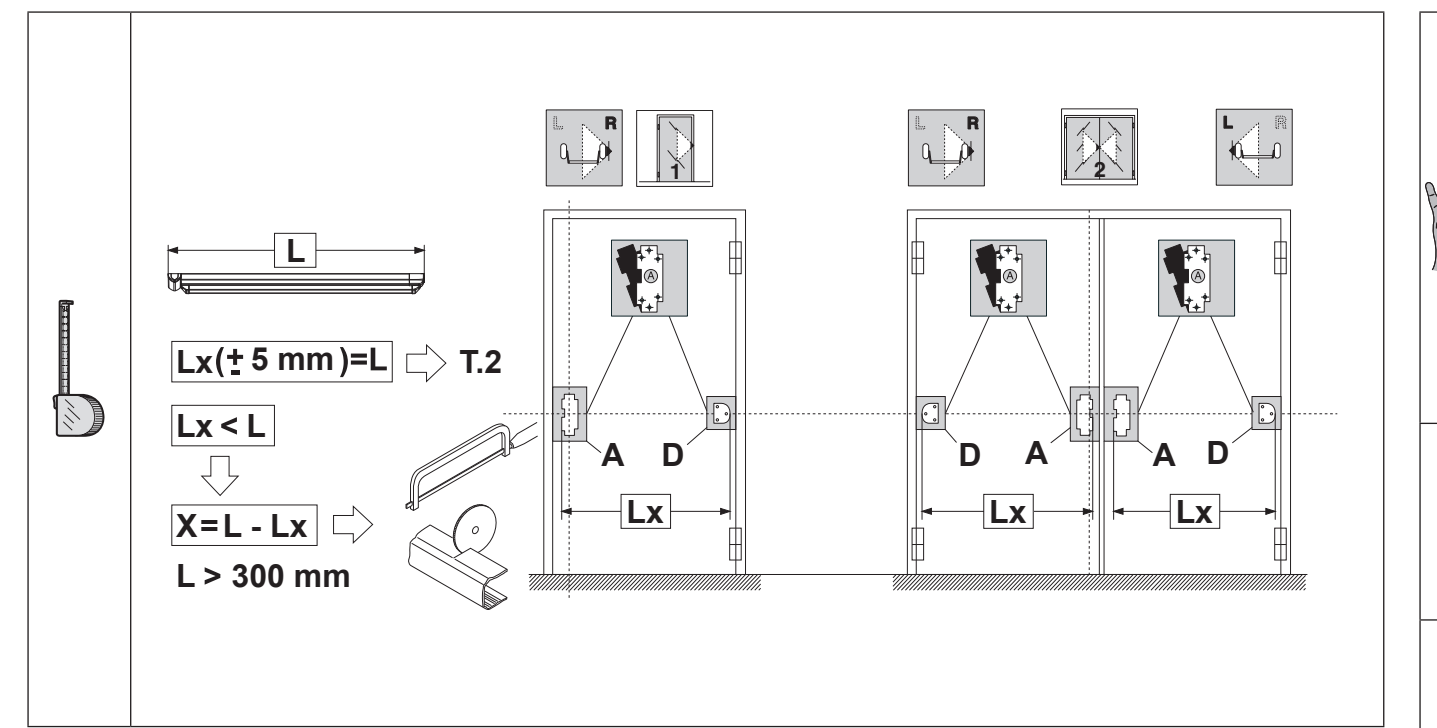
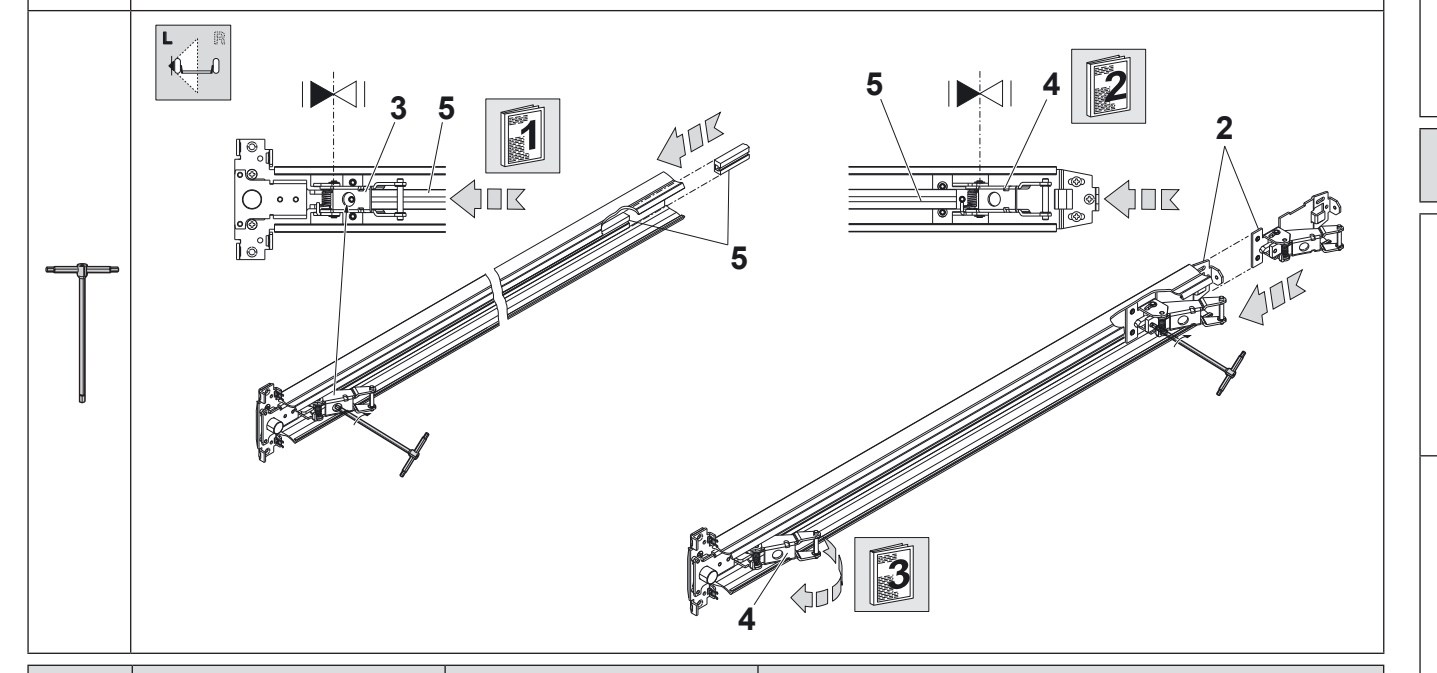
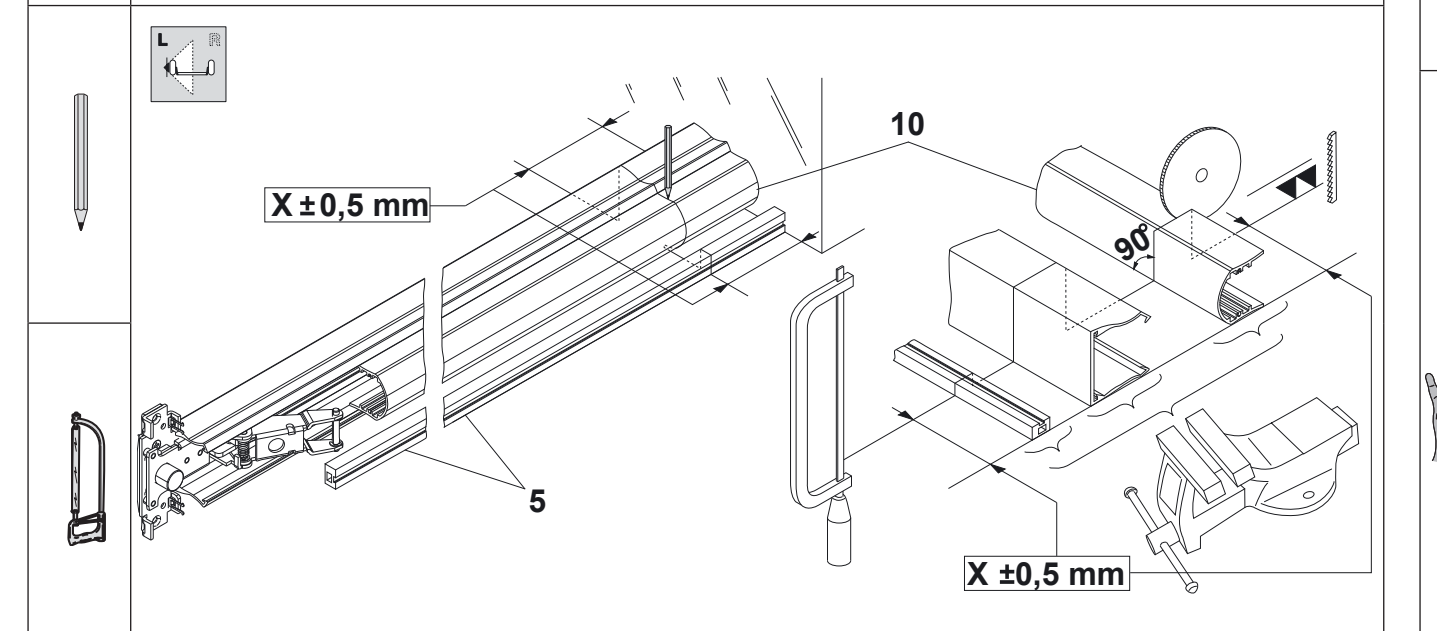
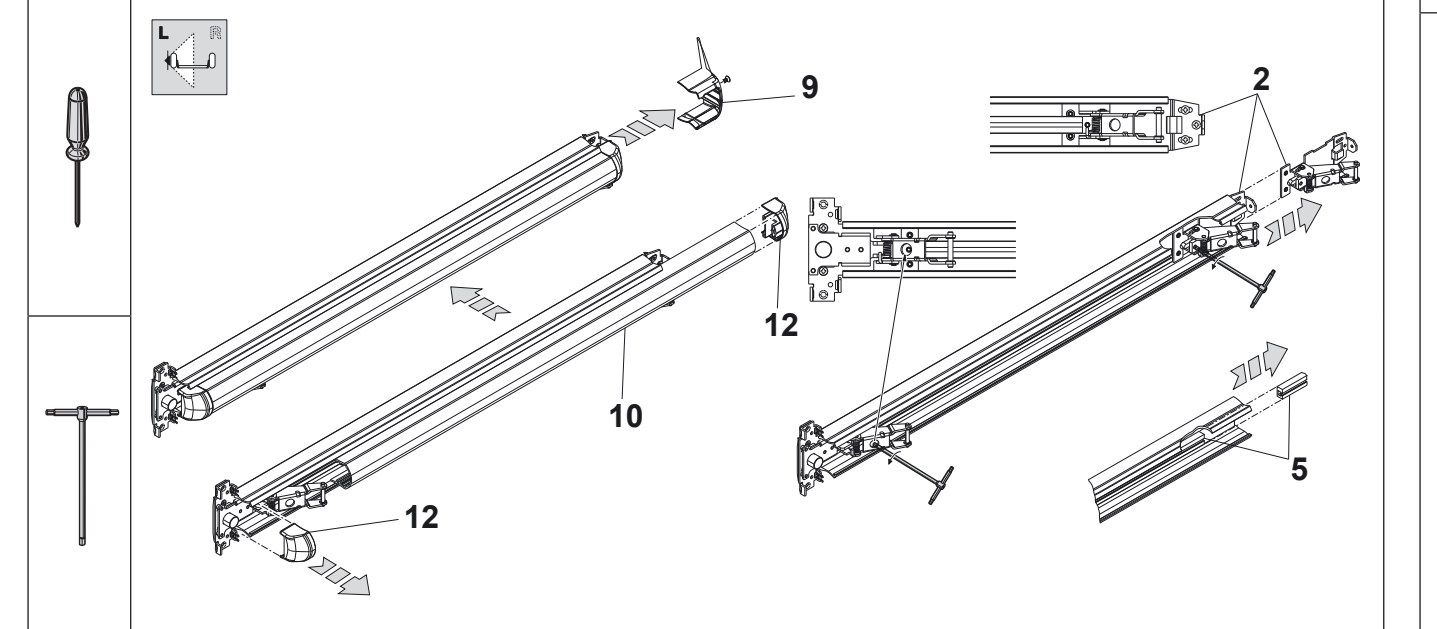
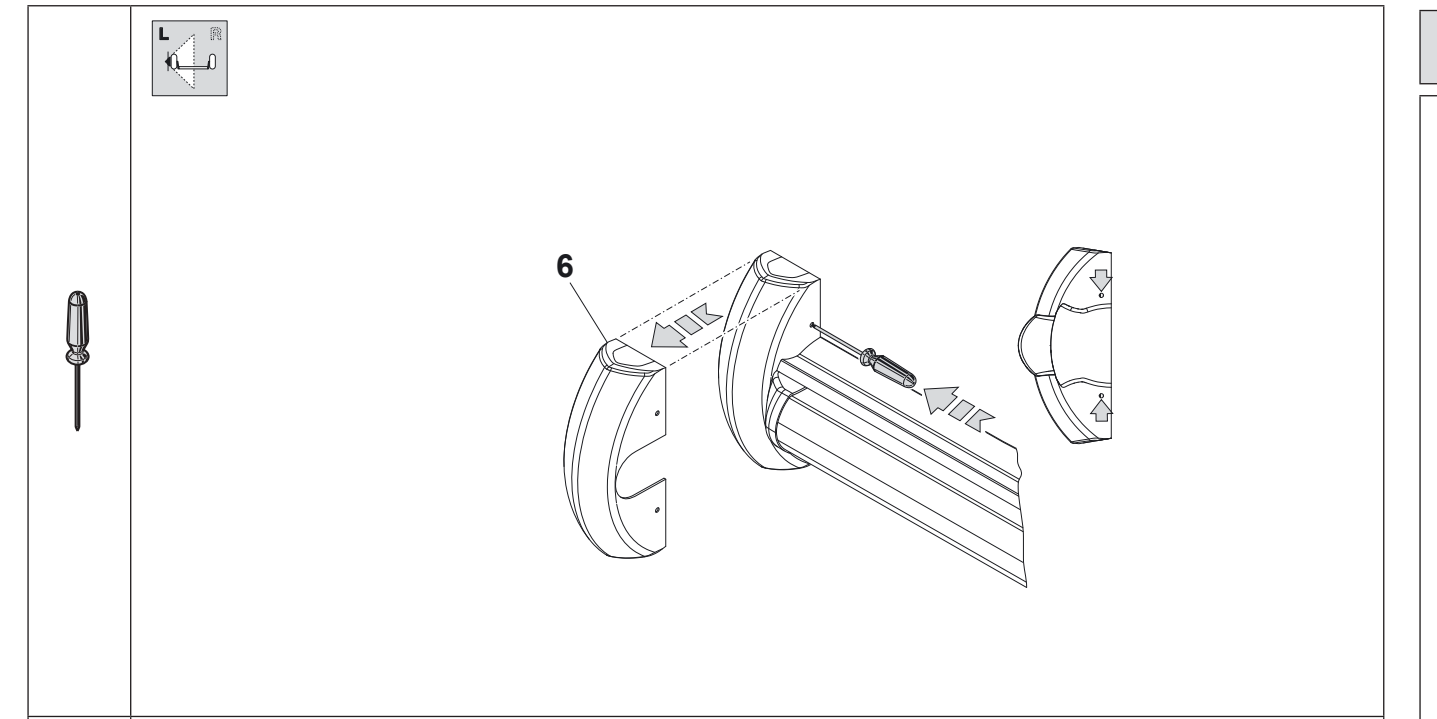


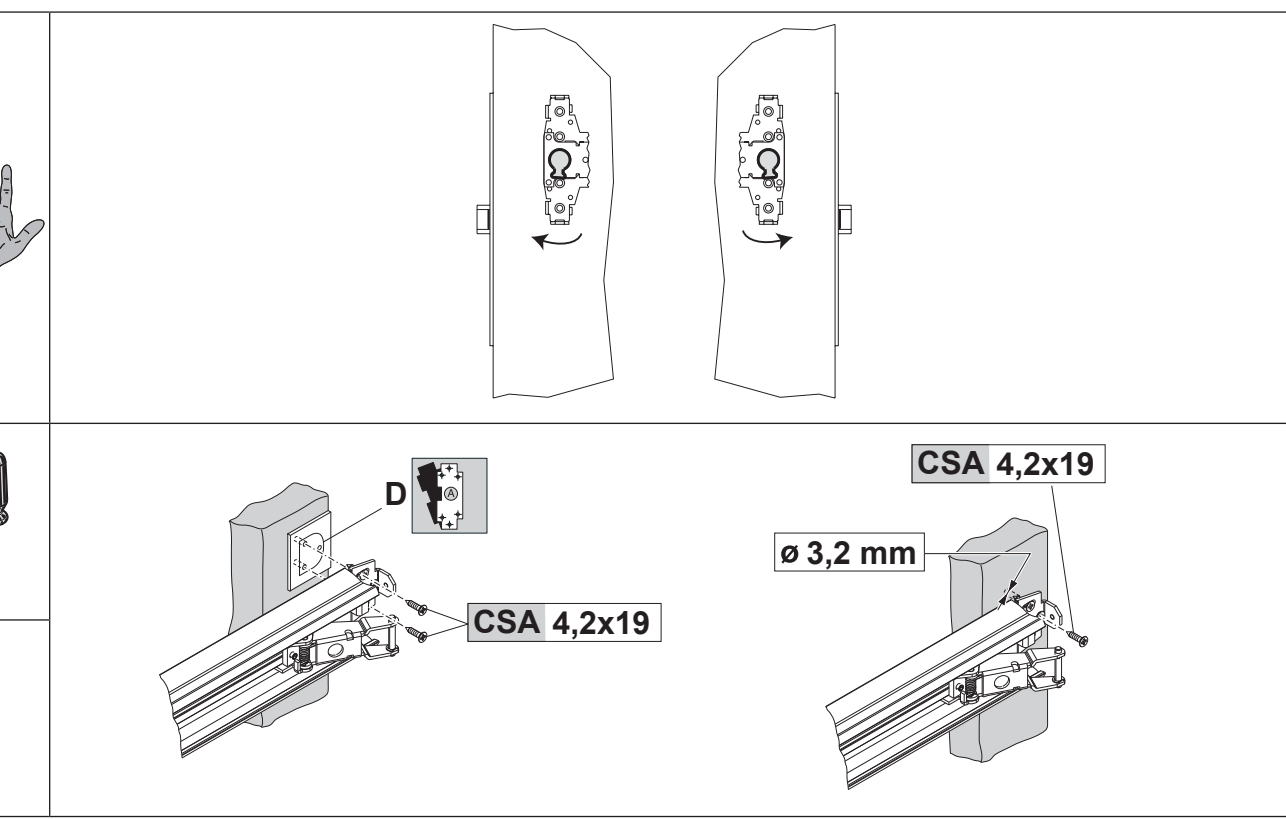
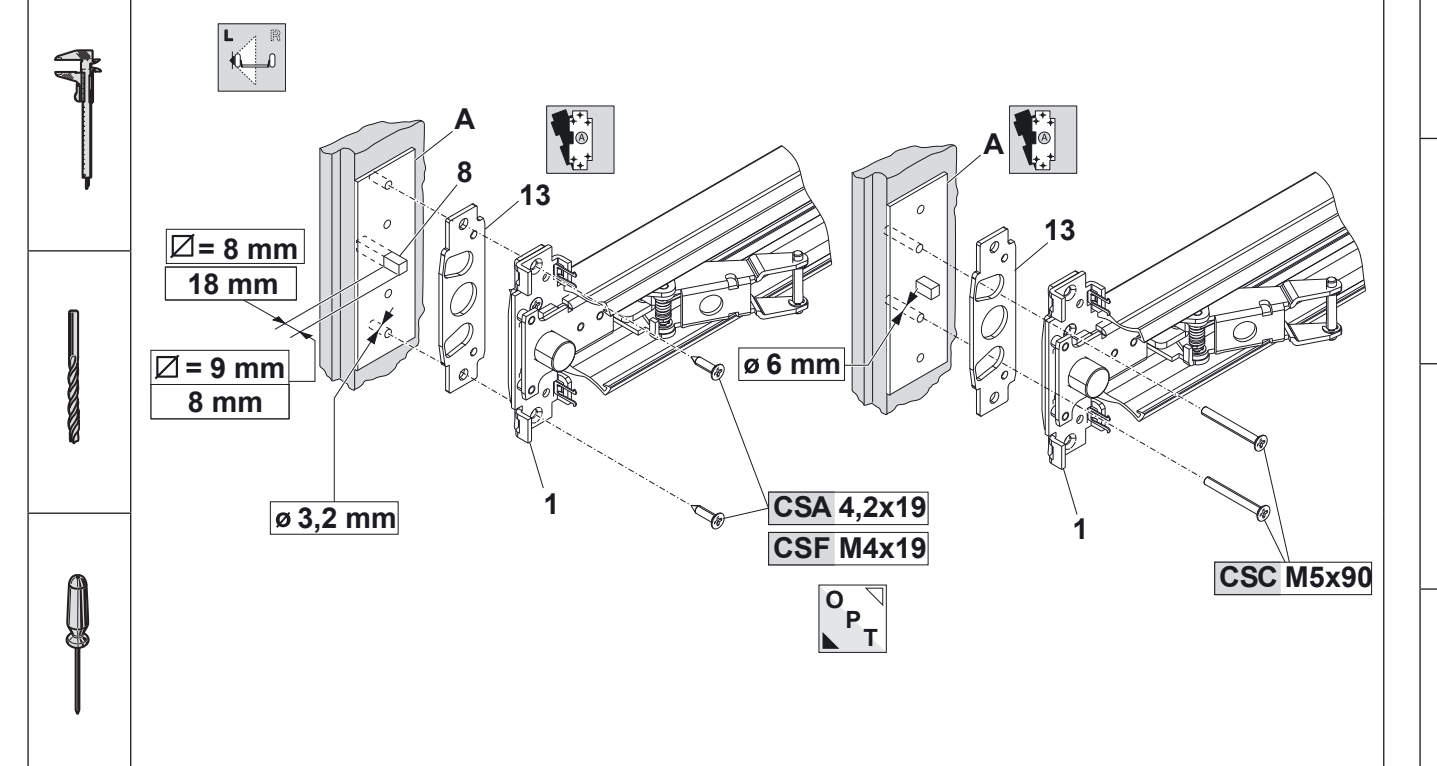
Table with 3 columns: LÄNGENKONTROLLE STANGENGRIFF, CONTROLE LENGTE SLUITING, ПРОВЕРКА ДЛИНЫ УСТРОЙСТВА АВАРИЙНОГО ВЫХОДА. Includes diagrams and instructions for length control.



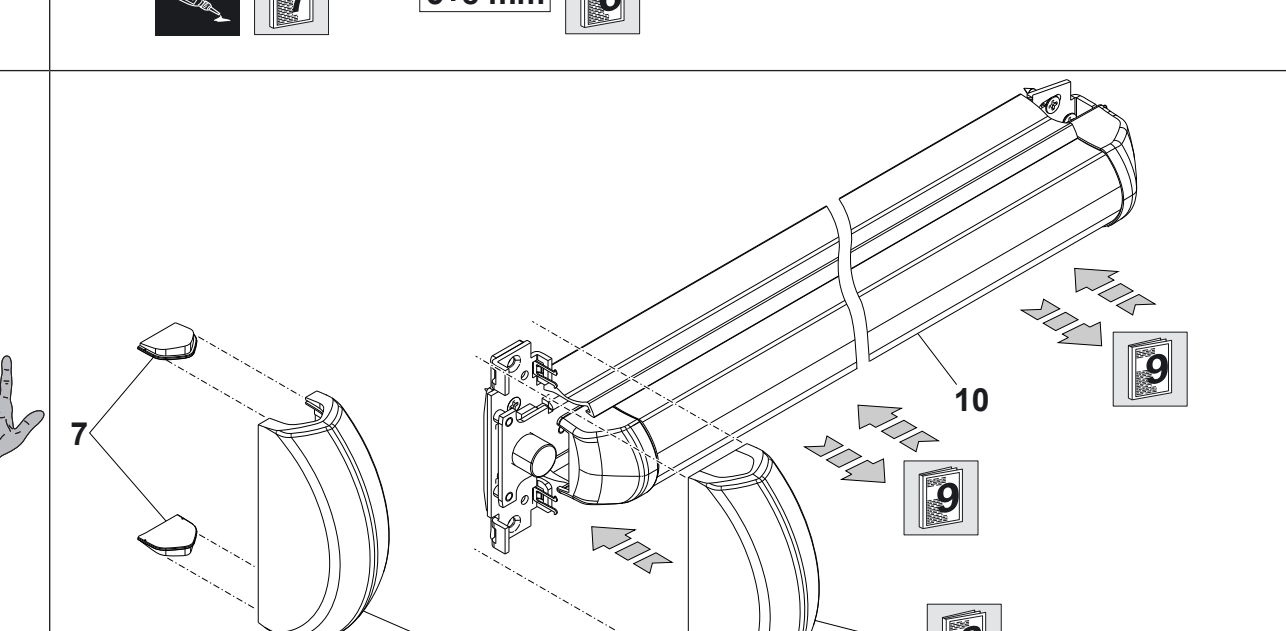
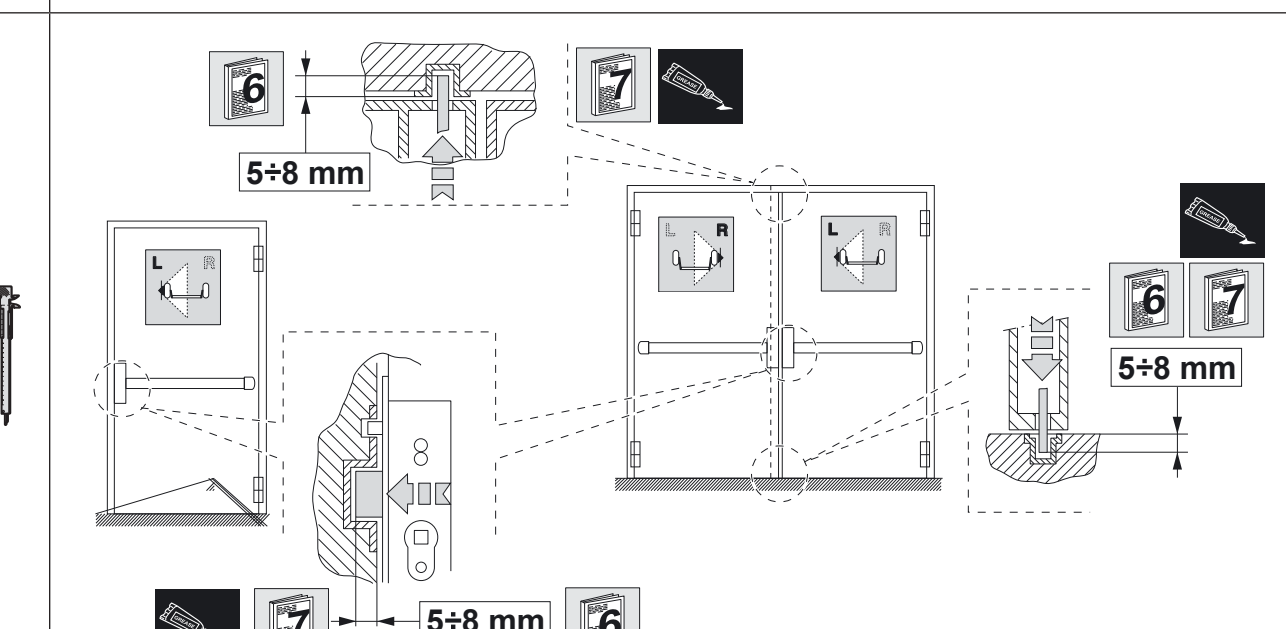
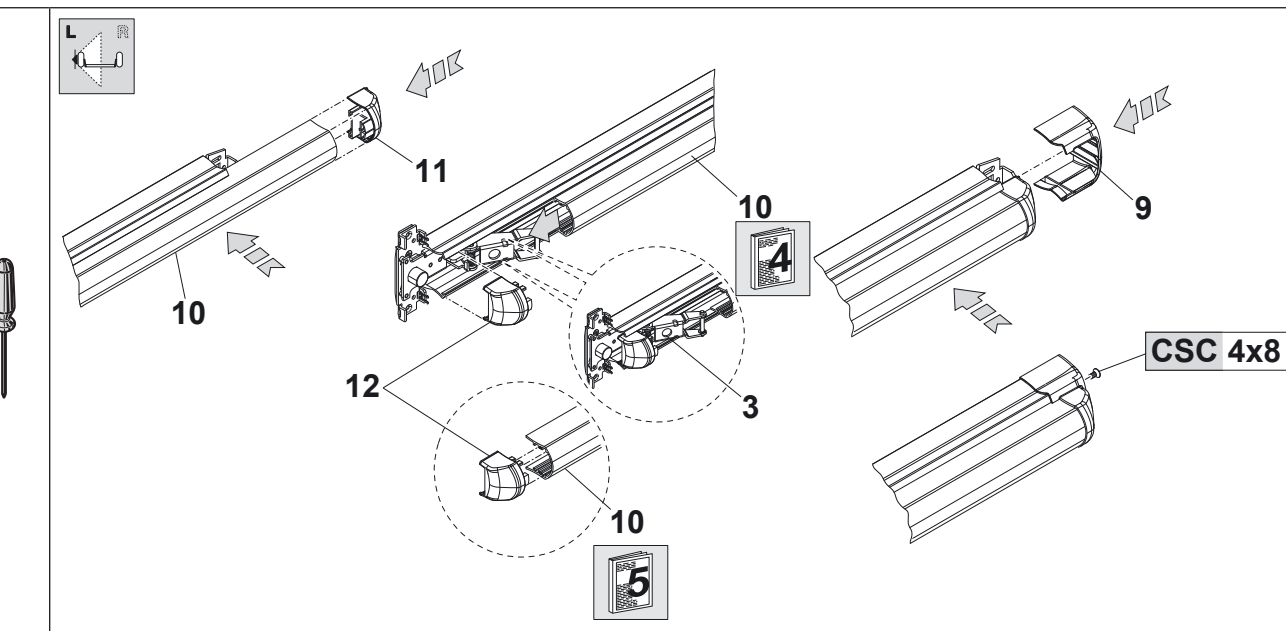
T.3 ANPASSUNG LÄNGE STANGENGRIFF AANPASSING LENGTE SLUITING РЕГУЛИРОВКА УСТРОЙСТВА АВАРИЙНОГО ВЫХОДА ПО ДЛИНЕ



T.4 MONTAGE STANGENGRIFF INSTALLATIE SLUITING УСТАНОВКА УСТРОЙСТВА АВАРИЙНОГО ВЫХОДА



T.5 FERTIGSTELLING D. MONTAGE - AFSLUITENDE PRÜFUNGEN VOLTOOIING MONTAGE - EINDCONTROLE ЗАВЕРШЕНИЕ МОНТАЖА - КОНЕЧНЫЙ КОНТРОЛЬ



T.6 ZUBEHÖRMONTAGE MONTAGE ACCESSOIRES МОНТАЖ АКСЕССУАРОВ

